


Contents	
1	Introduction
2	Pin Assignments
3	PCB Layout
4	Assembly
5	I/O Headers and Power Supply

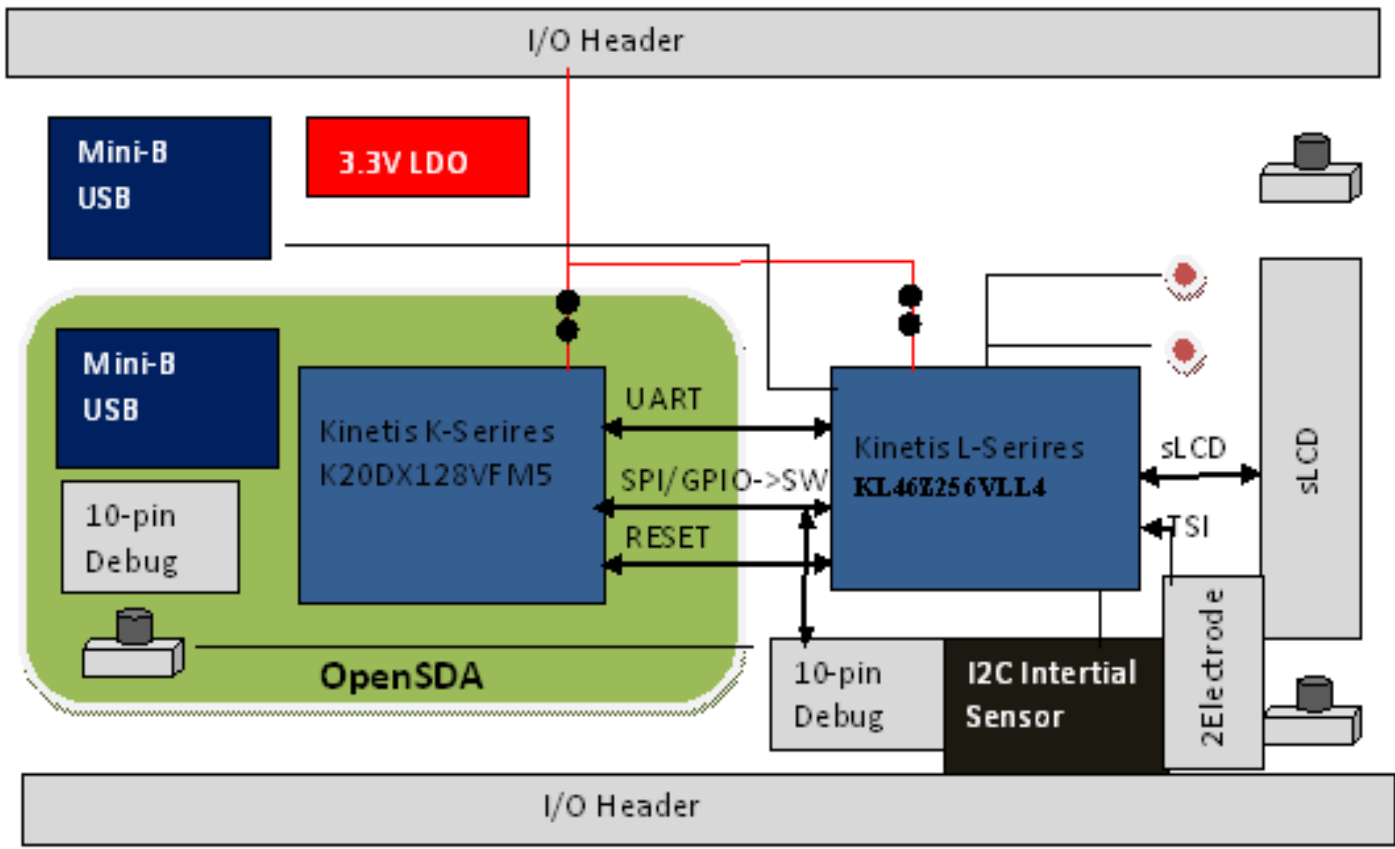
FRDM-KL46Z

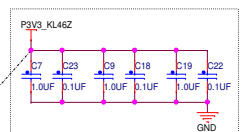
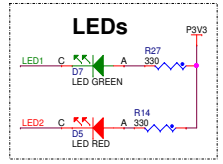
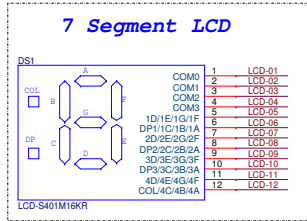
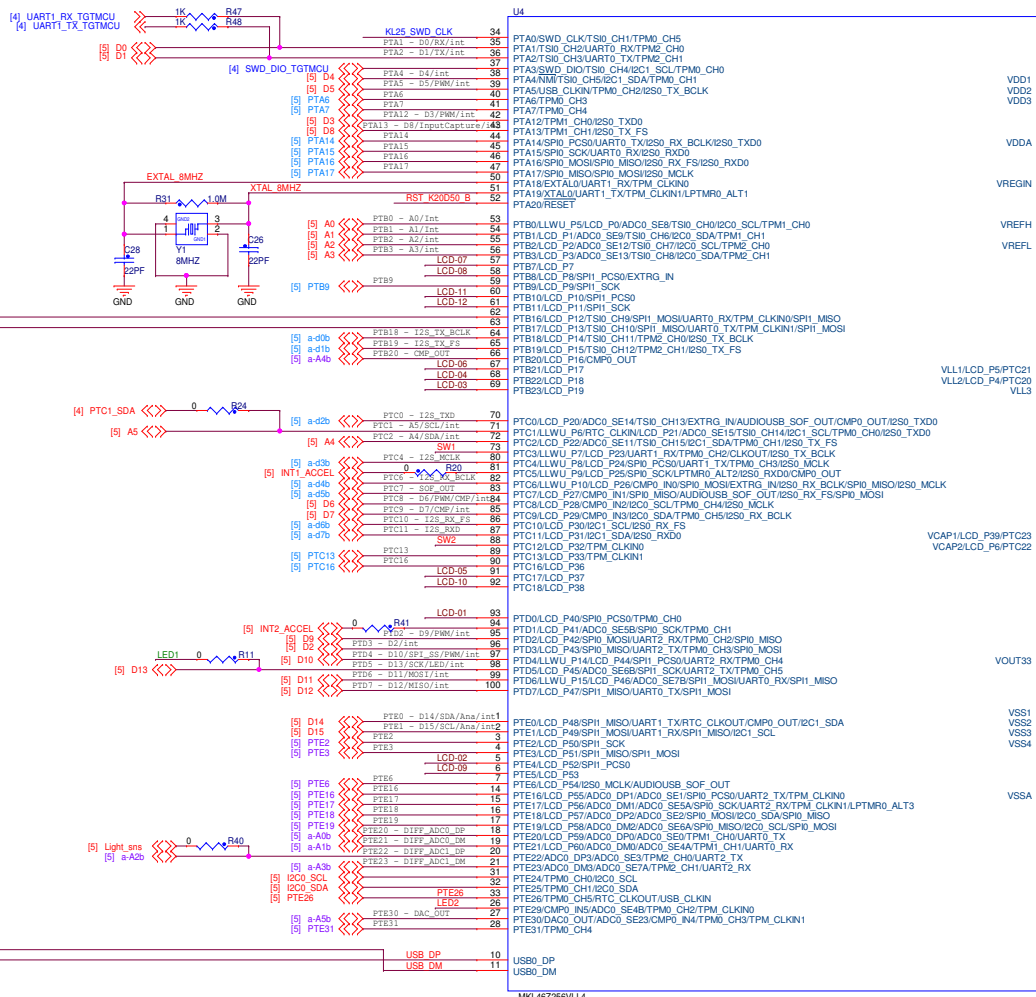
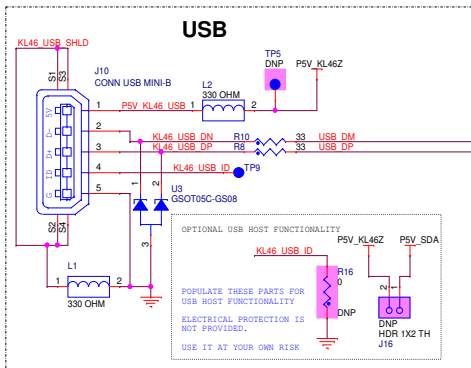
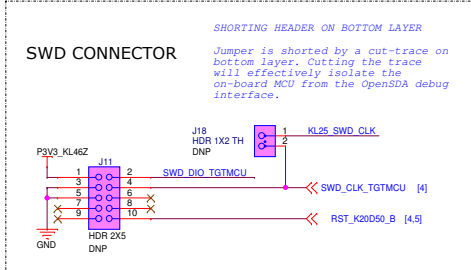
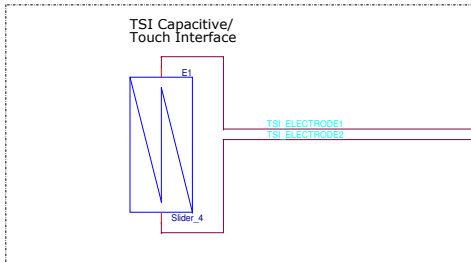
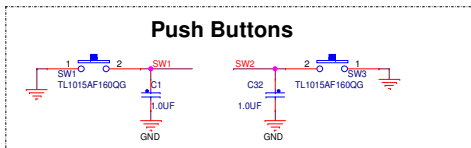
Revisions			
Rev	Description	Date	Approved
A	Initial version		
AX1	<ol style="list-style-type: none"> As per the new FRDM-KL46 pin assignment xls connections changed. Net changed from SWD_CLKto SWD_CLK_TGTMCU in connector J11.2 Net name TSI0_CH9/TSI0_CH10 removed from touch interface. Port name and Arduino functions name Text added to the nets. 5V regulator PAD added separate Accelerometer and Magnetometer sensor Freplaced with FXOS8700CQ PPL Released 	07-MAR-13	Luis Puebla Palma
AX2	<ol style="list-style-type: none"> As per the FRDM-KL46 new pinout assignment Rev3.xls connections changed. Port name and Arduino functions name Text changed to the nets as per new pin assignment. Arduino connector Ref des changed as per TRD requirement INT1_MAG net removed Test point added in PTE26 	14-MAR-13	Luis Puebla Palma
AX3	<ol style="list-style-type: none"> Magnetometer circuit added with same I2C Bus (I2C0_SCL/SDA) Magnetometer interrupt is connected to Accelerometer interrupt 2 through a 0 ohms resistor. Spare buffer U5B input is pulled low using a 0 ohms res. 	25-MAR-13	Luis Puebla Palma
AX4	<ol style="list-style-type: none"> FXOS8700CQ replaced with MMA8451Q. NC Pins wired to make compatible with CRST, RST, RSVD1/2 in FXOS8700CQ DNP 0 ohm resistor added between Inertial sensor 3rd pin and GND. DNP 0 ohms resistor added b/w Inertial sensor 16th pin and PTE26 	26-MAR-13	Luis Puebla Palma
B	<ol style="list-style-type: none"> DNP Updated RST_K20D50 renamed to RST_K20D50_B A085 Release 	28-MAR-13	Luis Puebla Palma
B1	<ol style="list-style-type: none"> D6 - DNP J7 - MOUNT Schematic title changed to FRDM-KL46Z A085 Release 	03-MAY-13	Luis Puebla Palma
C	Changing C17 from 1uF to 0.1uF to fix yield issue	19-JUN-13	Luis Puebla Palma

		Automotive, Industrial & Multi-market Solutions Group 6501 William Cannon Drive West Austin, TX 78735-8598	
<small>This document contains information proprietary to Freescale and shall not be used for engineering design, procurement or manufacture in whole or in part without the express written permission of Freescale.</small>			
Designer: JOHN PAUL FRANKLIN		ICAP Classification: FCP: FLUC: PUB: X	
Drawing Title: FRDM-KL46Z			
Drawn by: JOHN PAUL FRANKLIN		Page Title: TITLE PAGE	
Approved: Luis Puebla Palma	Size C	Document Number SCH-27822 PDF: SPF-27822	Rev C
Date: Wednesday, June 19, 2013 Sheet 1 of 5			

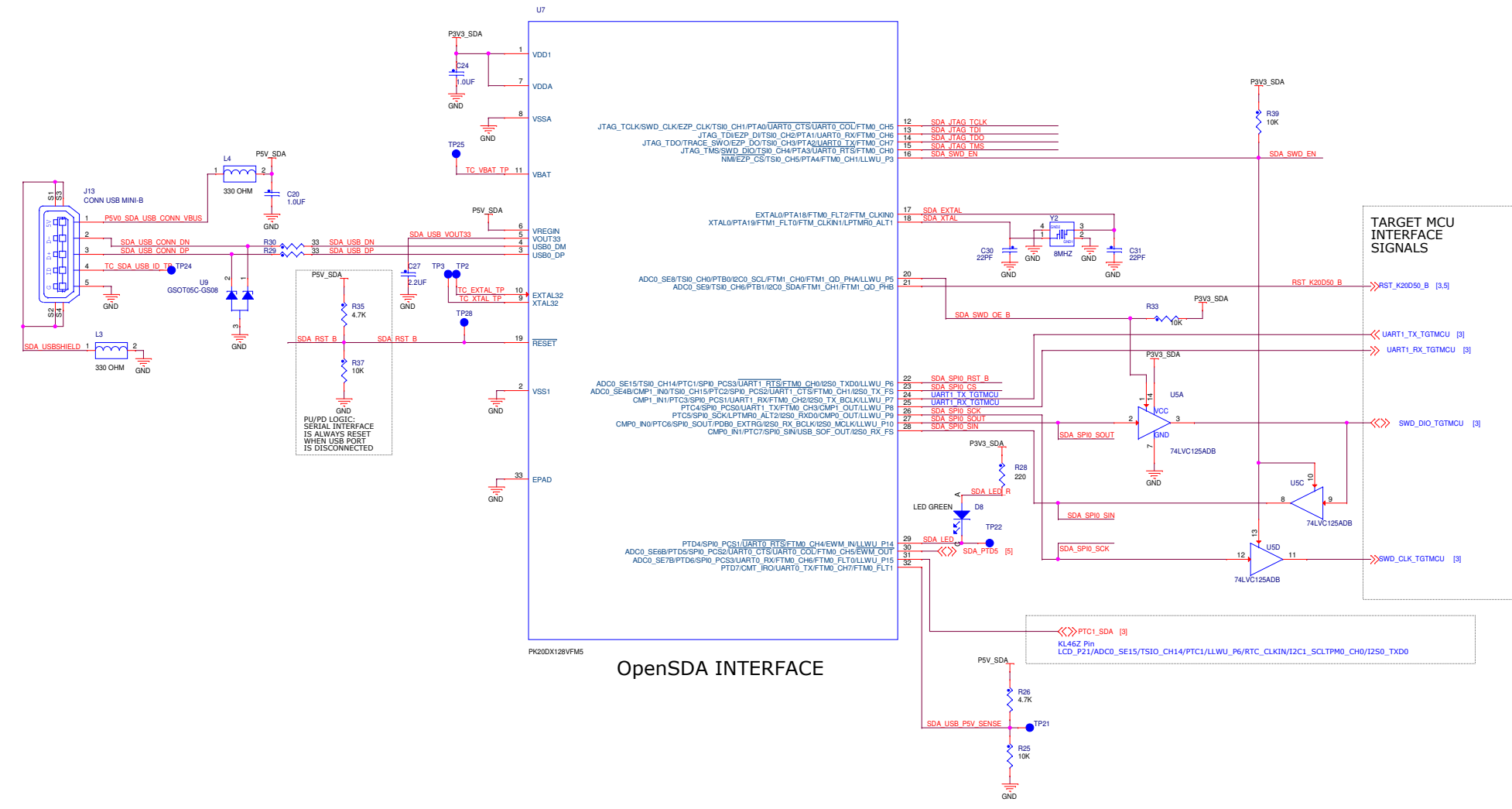
All polarized capacitors are aluminum electrolytic

- Interrupted lines coded with the same letter or letter combinations are electrically connected.
- Device type number is for reference only. The number varies with the manufacturer.
- Special signal usage:
 _B Denotes - Active-Low Signal
 <> or [] Denotes - Vectored Signals
- Interpret diagram in accordance with American National Standards Institute specifications, current revision, with the exception of logic block symbology.

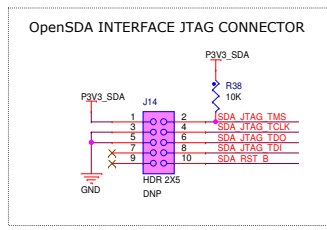
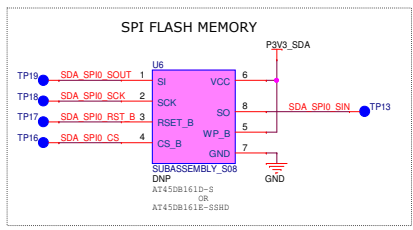
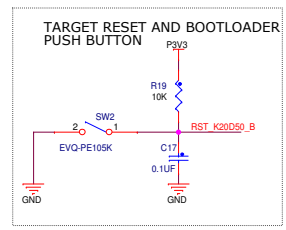
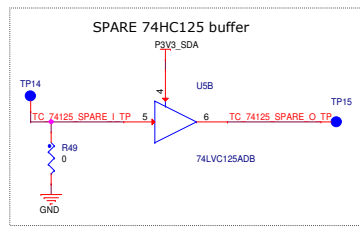




ICAP Classification: FCP, FIUC, PUBI: X
 Drawing Title: **FRDM-KL46Z**
 Page Title: **KL46Z MCU**
 Size C Document Number SCH-27822 | PDF: SPF-27822 Rev C
 Date: Wednesday, June 19, 2013 Sheet 3 of 5



OpenSDA INTERFACE



freescale

ICAP Classification: FCP: FIUC: PUB: X
 Drawing Title: **FRDM-KL46Z**
 Page Title: **OpenSDA interface**

Size C	Document Number SCH-27822 PDF: SPF-27822	Rev C
--------	--	-------

Date: Wednesday, June 19, 2013 | Sheet 4 of 5

